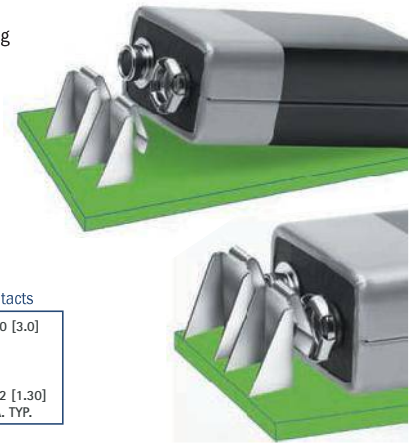
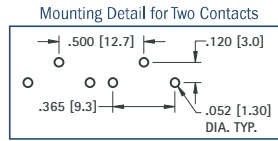
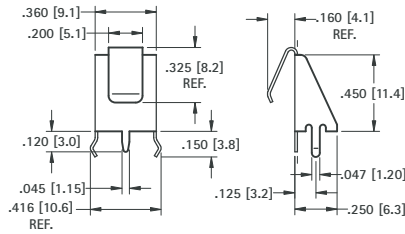


HORIZONTAL 9 VOLT PC LEAF-SPRING CONTACT

- Ideal "Slide-In" contact for easy installation and removal of 9 Volt batteries
- Space saving design installs directly onto the PC board
- Suitable for .062 (1.57) to .093 (2.36) thick PC boards
- Reliable leaf-spring assures low contact resistance
- Ideal for self-contained battery compartments
- Snap-in mounting legs holds contact secure during wave soldering

MATERIAL: .012 (.30) Spring Steel, Tin-Nickel Plate



CAT. NO. 590

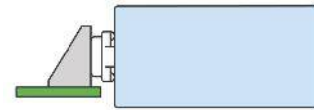
HORIZONTAL 9 VOLT PC SNAP-ON CONTACTS

Mounts Directly to Printed Circuit Board

- Space saving design installs directly onto the PC board
- Suitable for .062 (1.57) to .093 (2.36) thick PC boards
- Ideal for self-contained battery compartments



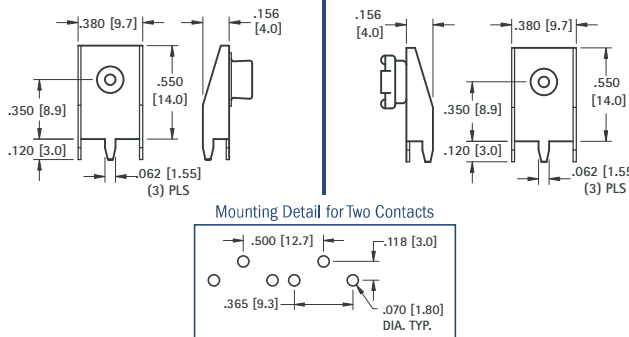
To Mount Battery "On" PC Board
Use Cat. No. 593 and Cat. No. 594



To Mount Battery "Off" PC Board
Use Cat. No. 635 and Cat. No. 636

MATERIAL: Frame: .015 (.38) Steel, Tin Plate; **Contacts:** Steel, Nickel Plate

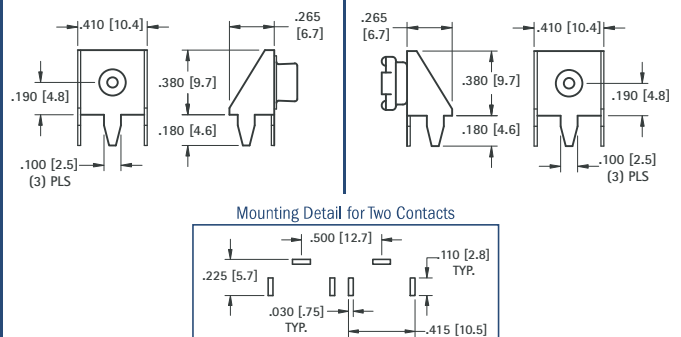
"On-Board"



CAT. NO. 593 (Male)

CAT. NO. 594 (Female)

"Off-Board"



CAT. NO. 635 (Male)

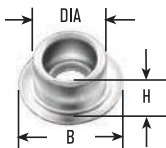
CAT. NO. 636 (Female)

BATTERY SNAP-ONS

For most electronic applications requiring a quick connect and disconnect of circuit. Commonly used with 9 Volt or other batteries designed with snap fasteners. Ideal for temporary or permanent means of connecting without soldering. Can be cascaded together for multiple connections.

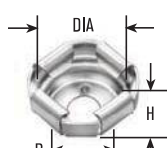
SOCKET OR STUD ONLY

FIG. 1



Stud only

FIG. 2



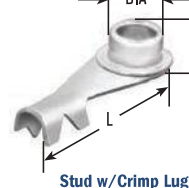
Socket only

CAT. NO.	FIG NO.	DIA	H	B	HOLE	SIZE	MATERIAL
261*	1	.224 (5.7)	.135 (3.4)	.312 (7.9)	.097 (2.5)	Junior*	Steel, Nickel Plate
269*	2	.210 (5.3)	.150 (3.8)	.250 (6.4)	.096 (2.4)		
262	1	.283 (7.2)	.143 (3.6)	.423 (10.7)	.125 (3.2)	Senior	Brass, Nickel Plate
270	2	.261 (6.6)	.145 (3.7)	.312 (7.9)	.125 (3.2)		

*Use Jr, Socket and stud for standard 9 Volt Battery

SOCKET OR STUD W/CRIMP LUG

FIG. 3



Stud w/Crimp Lug

FIG. 4



Socket w/Crimp Lug

CAT. NO.	FIG NO.	DIA	H	L	SIZE	MATERIAL
263*	3	.225 (5.7)	.170 (4.3)	.790 (20.1)	Junior	Stud: Steel, Nickel Plate Lug: Brass, Tin Plate
271*	4	.205 (5.2)	.200 (5.1)	.790 (20.1)		
264	3	.283 (7.2)	.185 (4.7)	.840 (21.3)	Senior	Stud: Brass, Nickel Plate Lug: Brass, Tin Plate
272	4	.265 (6.7)	.185 (4.7)	.835 (21.2)		

*Use Jr, Socket and stud for standard 9 Volt Battery