

- Round caps
- Excellent option for foil overlay
- Ø11 mm; Ø15 mm
- h =12.5 mm
- Material: polyamide
- Temp. Range:
  - Solid cap: -40/+160°C
  - Transparent cap: -40/+85°C
- Panel cut-out: 1GAS/1GCS-Ø11.4; Ø15.4

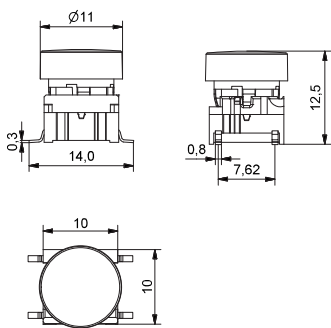
All dimensions in mm

Tolerances +/-0.2mm

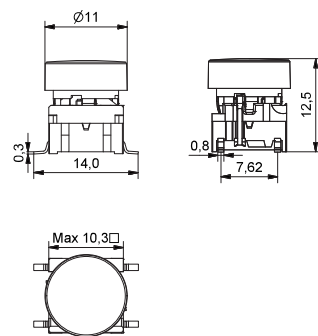


## DIMENSIONS

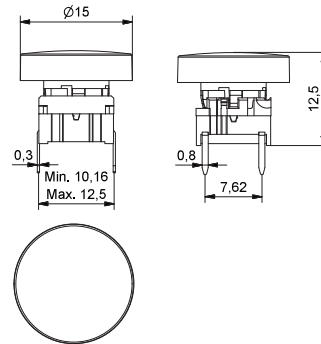
### SMD + 1GAS



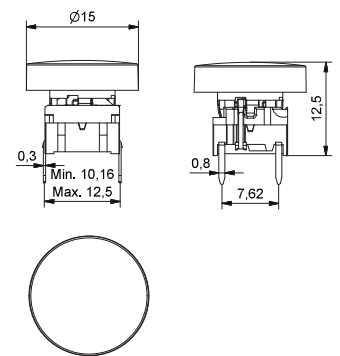
### SMD w/LED + 1GAS



### TH + 1GCS



### TH w/LED + 1GCS



## ILLUMINATED – HOW TO ORDER

| Switch | Mounting                              | Actuation force      | LED                                                                                                              | + | Cap transparent colour | Colour code                        |
|--------|---------------------------------------|----------------------|------------------------------------------------------------------------------------------------------------------|---|------------------------|------------------------------------|
| 5 G    | TH9 through-hole<br>SH9 surface mount | 20<br>35<br>65<br>Q* | 02 blue<br>22 green<br>42 yellow<br>61 white<br>82 red<br>2242 green/yellow<br>8222 red/green<br>8242 red/yellow |   | 1GAS<br>1GCS           | 11 transparent<br>16 frosted white |

\*For an illuminated quiet 2.0N switch add Q to the end of the switch part number.

## NON-ILLUMINATED – HOW TO ORDER

| Switch | Mounting                              | Actuation force       | + | Cap solid colour | Colour code                                                                   |
|--------|---------------------------------------|-----------------------|---|------------------|-------------------------------------------------------------------------------|
| 5 G    | TH9 through-hole<br>SH9 surface mount | 20<br>20Q<br>35<br>65 |   | 1GAS<br>1GCS     | 00 blue<br>02 green<br>03 grey<br>04 yellow<br>06 white<br>08 red<br>09 black |

Ordering example:

5GSH935 + 1GAS09 without illumination OR 5GTH96502 + 1GCS16 with illumination OR \*5GTH92061Q (illuminated quiet version)