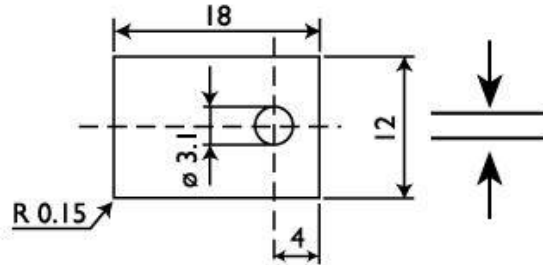


TO.220

DIMENSION mm

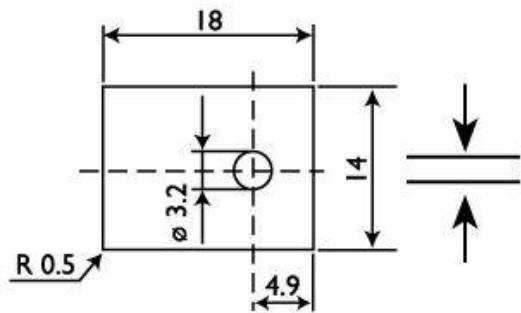
1.00	5061.00387 BF
1.50	5061.00388 BF
2.00	5061.00140 BF
2.50	5061.00389 BF
3.00	5061.00390 BF



TO.220

DIMENSION mm

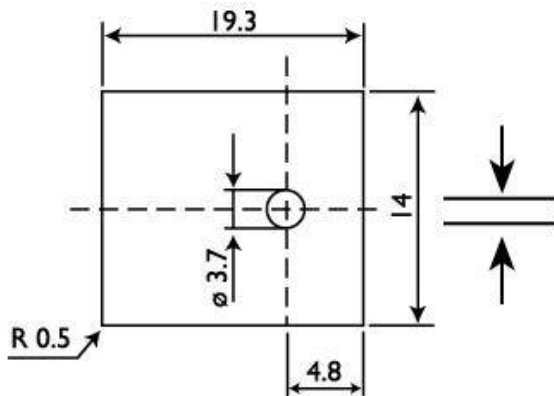
1.50	5061.00117 BF	
2.00	5032.00468 U	
3.00	5061.00252 BF	
4.50	5061.00301 BF	
1.50	5061.00621 BF	with hole 3.6mm diameter
4.00	5061.00545 BF	with hole 4.00mm diameter



TO.220

DIMENSION mm

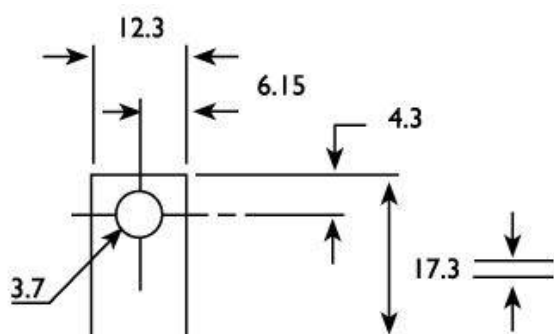
1.50	5032.00276 U	
2.50	5032.00292 U	
3.00	5032.00201 U	
1.00	5061.00308 BF	
1.50	5061.00309 BF	
2.00	5061.00510 BF	
3.00	5061.00198 BF = MECI P/N M1915	
4.50	5061.00306 BF	
3.00	5061.00618 BF	with hole 3.60mm diameter
4.50	5061.00419 BF	with hole 3.50mm diameter
4.50	5061.00439 BF	without hole



TO.220

DIMENSION mm

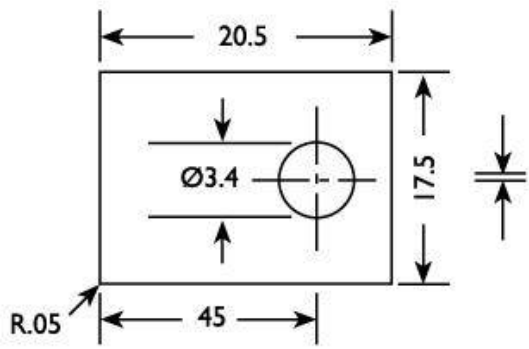
1.00	5032.00493 U
3.00	5032.00296 U
1.50	5061.00385 BF
1.60	5061.00221 BF
2.00	5061.00384 BF
2.50	5061.00383 BF
3.00	5061.00441 BF
4.00	5032.00599 U



TO.220

DIMENSION mm

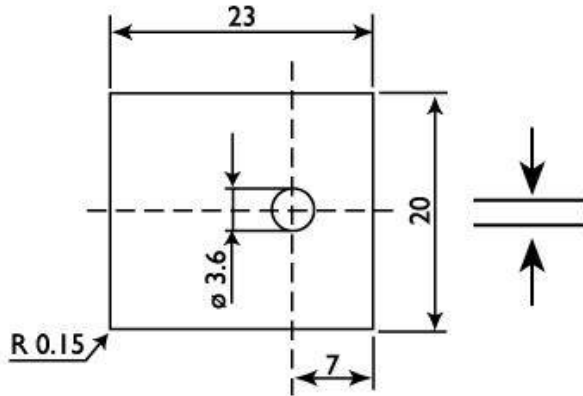
2.54	5061.00304 BF
------	---------------



TO.220

DIMENSION mm

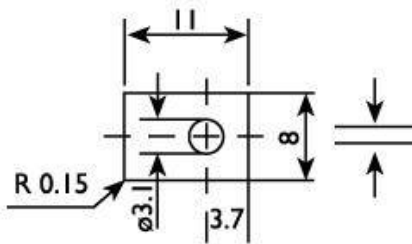
1.50	5061.00581 BF	
1.50	5032.00674 U	
1.60	5061.00619 BF	With hole 3.80mm diameter



TO.220

DIMENSION mm

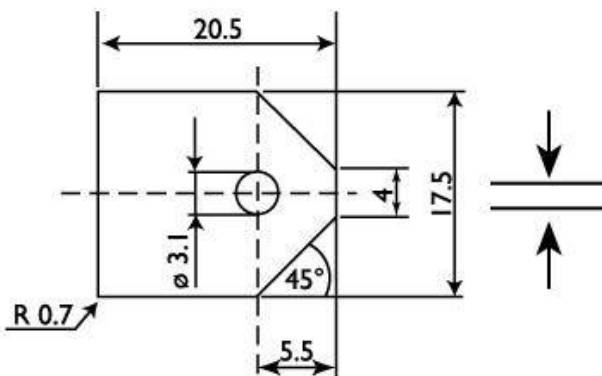
1.00	5061.00375 BF
1.50	5061.00374 BF
2.00	5061.00373 BF
2.50	5061.00372 BF
3.00	5061.00371 BF
3.00	5061.00482 BF
4.00	5061.00305 BF



SO.32

DIMENSION mm

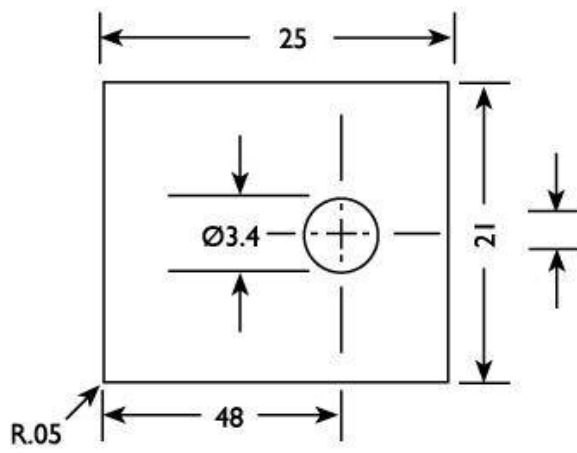
0.85	5061.00369 BF
1.50	5061.00116 BF = MECI P/N M1180
2.00	5061.00377 BF
2.50	5061.00367 BF
3.00	5061.00267 BF



GS.3P

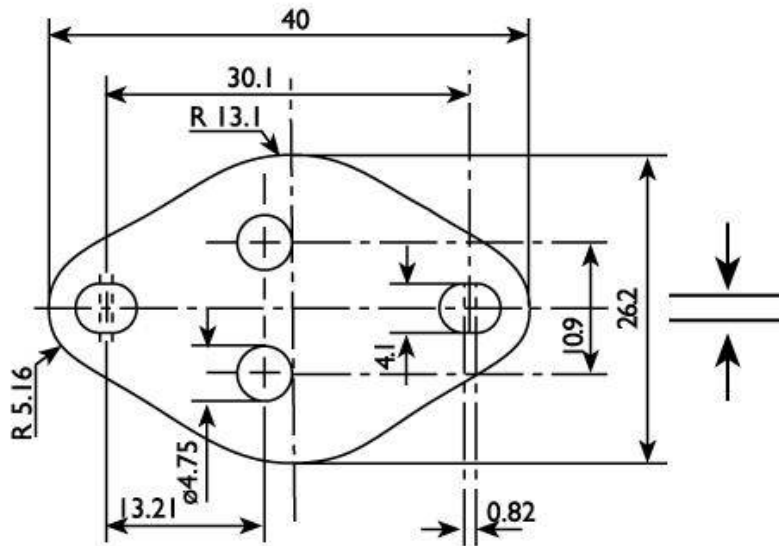
DIMENSION mm

1.00	5061.00378 BF
1.50	5061.00248 BF
2.00	5061.00379 BF
3.00	5061.00380 BF



TO.218 TO.247
mm DIMENSION

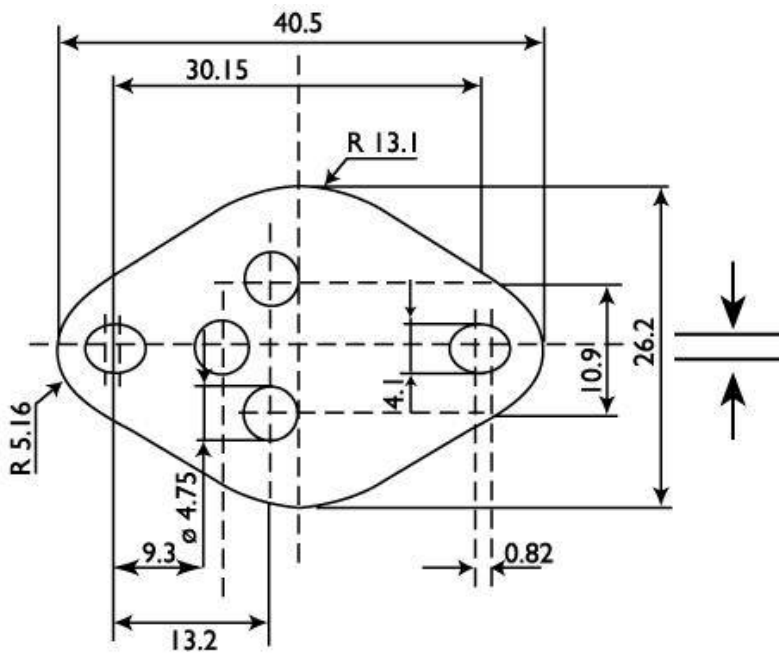
3.00 5061.00559BF
4.00 5032.00600 U



TO.3

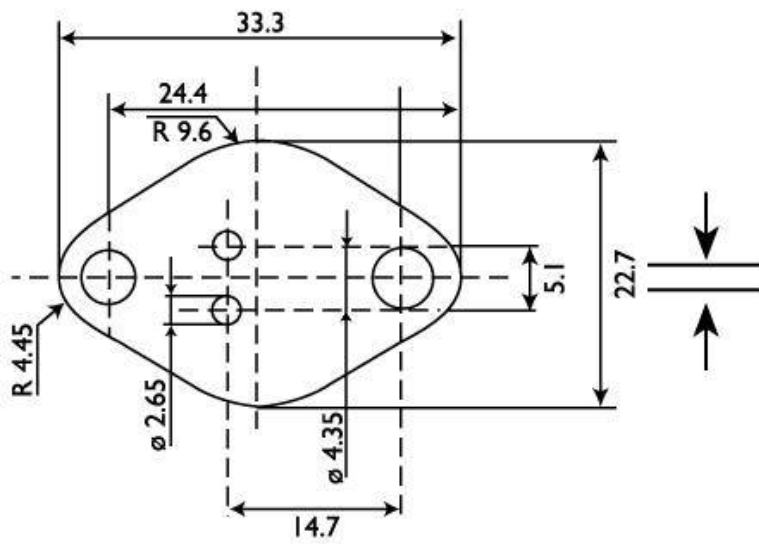
DIMENSION mm	
1.00	5032.00170 U
1.50	5032.00277 U
2.00	5032.00184 U
2.50	5032.00046 U
3.00	5032.00045 U
1.50	5061.00365 BF
2.00	5061.00202 BF
2.50	5061.00122 BF
3.00	5061.00121 BF

= MECI P/N M202/03



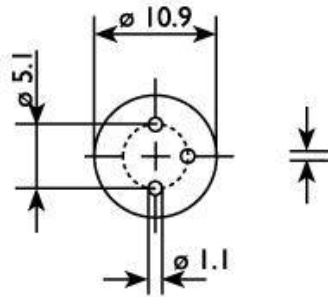
TO.3

DIMENSION mm	
1.00	5032.00283 U
1.50	5032.00282 U
2.00	5032.00272 U
2.50	5032.00185 U
3.00	5032.00302 U
2.50	5061.00128 BF
3.00	5061.00300 BF



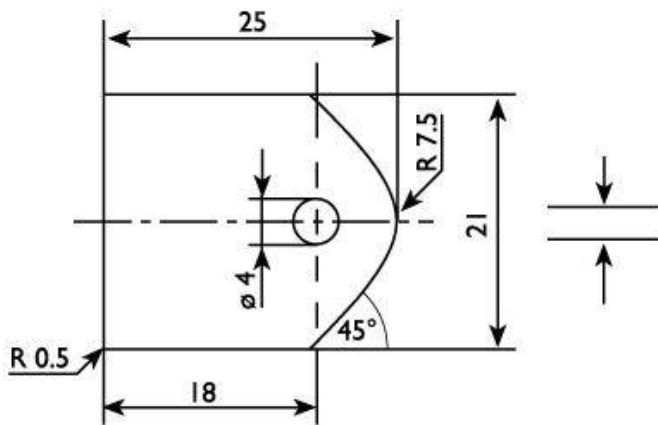
TO.66

mm DIMENSION
 2.50 5061.00268 BF
 3.00 5061.00244 BF =MECI P/N M203/66



TO.5

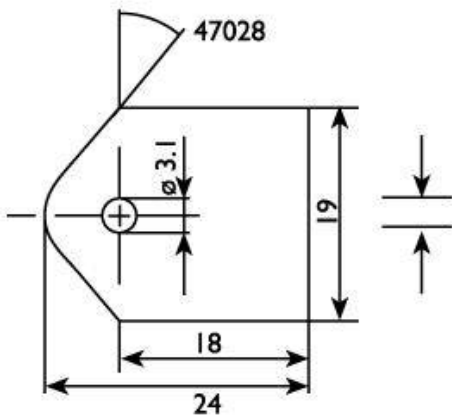
DIMENSION mm	
1.50	5061.00176 BF



TO.127

DIMENSION mm	
1.60	5061.00341 BF
2.50	5061.00342 BF
3.00	5061.00217 BF

= MECI P/N M3055



TOP.3

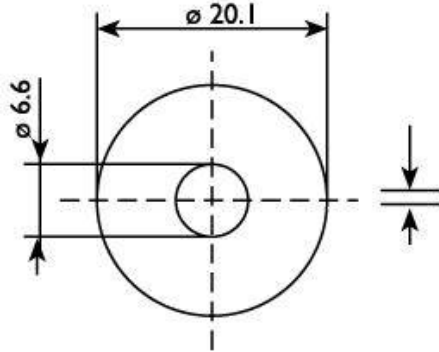
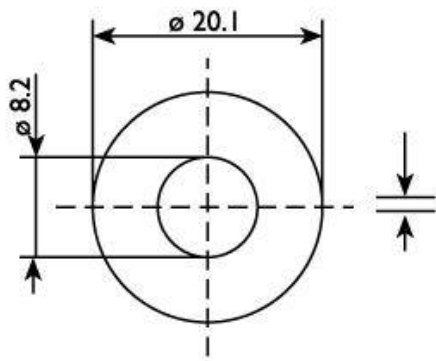
DIMENSION mm	
1.50	5061.00174 BF
2.00	5061.00382 BF
2.50	5061.00381 BF
3.00	5061.00275 BF

DO.5

DIMENSION mm	
1.57	5032.00066 U
Others See below	

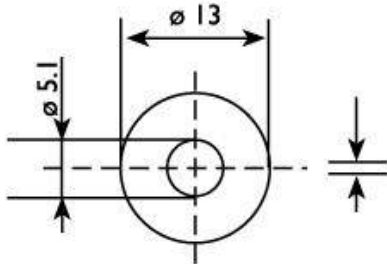
DO.5

2.00	5061.00355 BF
2.50	5061.00354 BF
3.00	5061.00353 BF
3.50	5061.00352 BF
4.00	5061.00351 BF



DO.5

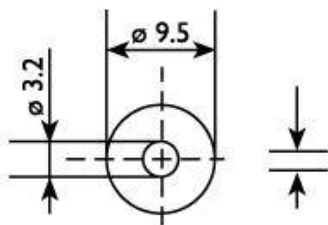
DIMENSION mm	
1.57	5032.00061 U



DO.4

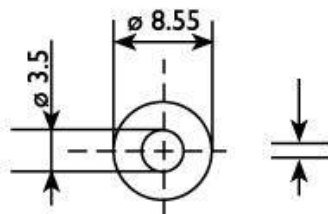
DIMENSION mm	
1.00	5032.00047 U
1.60	5032.00228 U

= MECI P/N M52/127



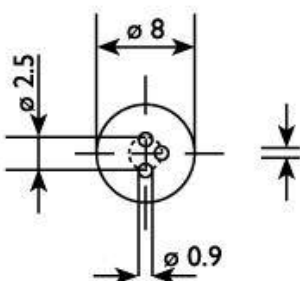
DO.4

DIMENSION mm	
1.50	5061.00311 BF
2.30	5061.00227 BF



DO.4

DIMENSION mm	
1.00	5061.00356 BF
1.65	5061.00199 BF
2.00	5061.00357 BF
2.50	5061.00358 BF
3.00	5061.00359 BF



TO.18

DIMENSION mm	
1.50	5061.00231 BF