

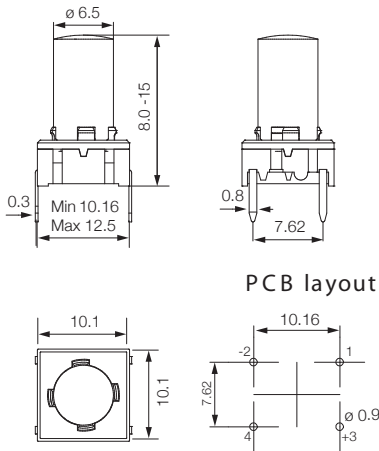
### Technical Data

- through-hole or SMD
- 50mA/24VDC
- single pole/momentary
- 10.000.000 operations life time
- IP67 sealing
- temperature range:  
LED: -40/+85°C  
solid cap +65°C  
transparent +85°C
- actuation force: 2.0, 3.5, 6.5 N

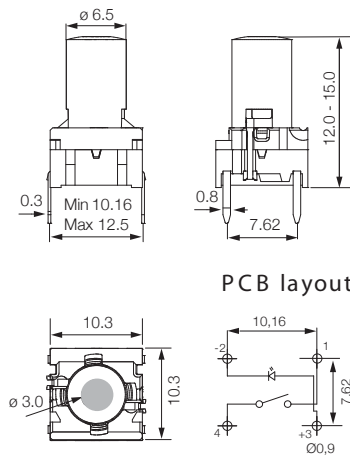


B9K <9≡ <HG'5 J5 =@ 6 @  
: FCA': YV'8\$%&  
% a a  
% a a  
&&) a a

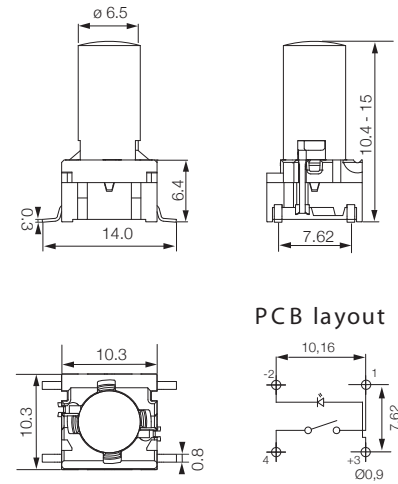
### Dimensions (through-hole) 1SS



### Dimensions (w. LED) 1LS



### Dimensions (SMD) 1IS



### HOW TO ORDER

5 G							
Switch	Mounting	Actuation force	LED	Cap	Colour code	Lens	Height/1IS
TH9	through-hole	20	01 blue	1IS transparent	00 blue	1 transparent	10.4
SH9	surface mount	35	22 green	1LS with lens	03 grey	6 frosted white	11.0
		65	42 yellow		08 red	2 green	12.0
			61 white		09 black	4 yellow	15.0
			82 red		11 transparent	8 red	
			2242 green/yellow		16 frosted white		Height/1LS
			8222 red/green				12.0
			8242 red/yellow				15.0

### Switch to be used: 5E or 5G

5 E					
5 G	Mounting	Actuation force	Cap	Colour code	Height
	TH9 through-hole	20	1SS solid colour	00 blue	08.0
	SH9 surface mount	35		02 green	09.5
		65		03 grey	10.4
				04 yellow	11.0
				06 white	12.0
				08 red	15.0
				09 black	
				39 black (high temperature)	

Dimensions (mm) Unless otherwise specified, all tolerances ± 0,2

Ordering example: 5GTH93501+1LS03115.0