

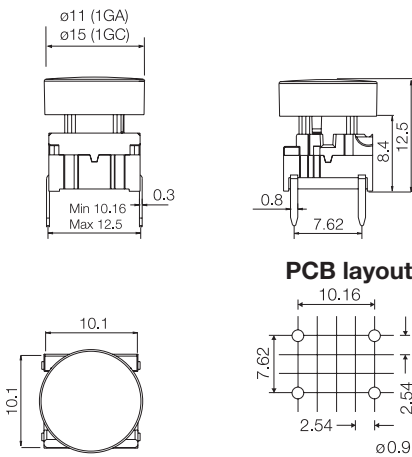
multimec® 3F + 1GA/1GC

Technical Data

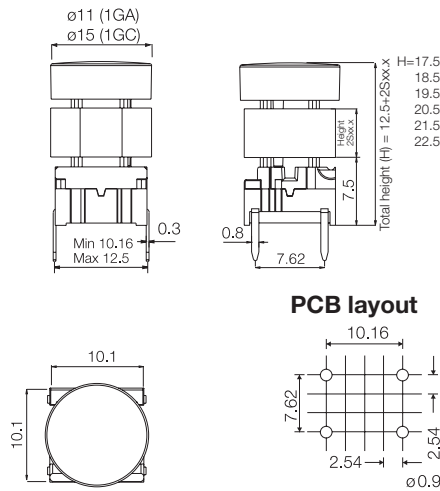
- through-hole or SMD
- 50mA/24VDC
- single pole/momentary
- 10.000.000 operations life time
- IP67 sealing
- temperature range:
low temp: -40/+115°C
high temp: -40/+160°C



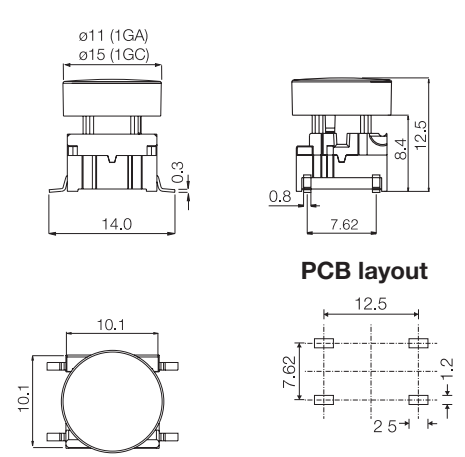
Dimensions (through-hole)



Dimensions (w/extender)



Dimensions (SMD)



How to order

3 F	<input type="checkbox"/>	<input type="checkbox"/>	+	1 G A 0 9	+	2 S 0 9 -	. 0
Switch	Mounting	L 6 low temp.		Cap black		Extender black	Height
	T through-hole	H 9 high temp.					05.0
	S surface mount			1 G C 0 9			06.0
				Cap black			07.0
						(Optional)	08.0
						Adds 5-10 mm	09.0
						to total height.	10.0

Keycap	Variable Extender	H (height) mm	Example
1GA/1GC		12.5	H 1
1GA/1GC	2S09-05.0	17.5	H 2
	2S09-06.0	18.5	
	2S09-07.0	19.5	
	2S09-08.0	20.5	
	2S09-09.0	21.5	
	2S09-10.0	22.5	H 3

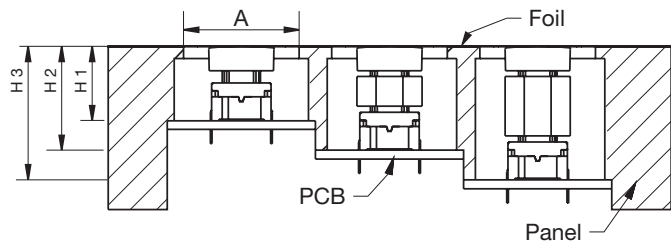
H = Overall height

Overall heights below 12.5 mm - Please see Multimec® versions 3C and 3E.

All 2S09 extenders are stackable giving the possibility to match most overall heights.

A = We recommend you to allocate enough space for travel of the foil and leave the area free from adhesive.
Switch travel = 1 mm.

H = We recommend you to calculate this dimension from the top of the PCB to the inner top of the panel.



Ordering example: 3FTL6 + 1GA09 or 3FTL6 + 2S09-07.0 + 1GC09