

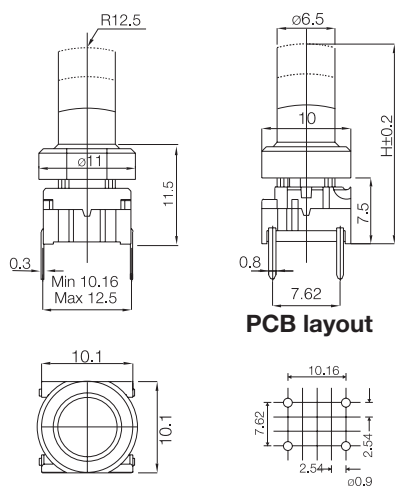
multimec® 3F + 1S + 2S

Technical Data

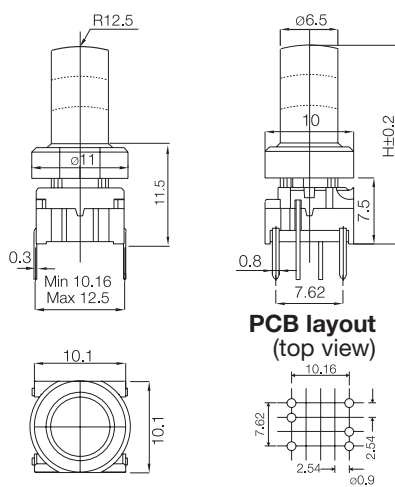
- through-hole or SMD
- 50mA/24VDC
- single pole/momentary
- 10.000.000 operations life time
- IP67 sealing
- temperature range:
low temp: -40/+115°C
high temp: -40/+160°C



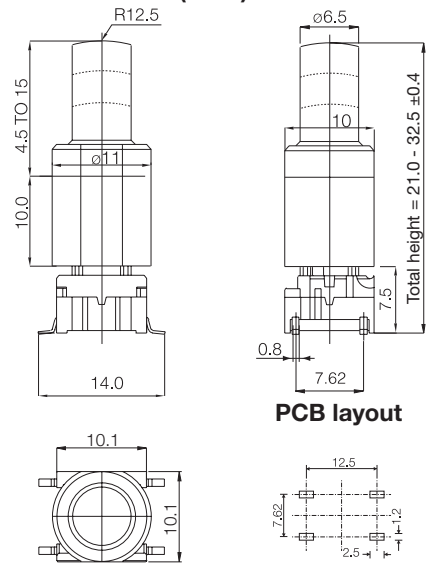
Dimensions (through-hole)




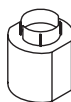
Dimensions (w/LED)



Dimensions (SMD)



How to order

3 F	<input type="checkbox"/>	<input type="checkbox"/>	+	1 S 0 9 -	+	2 S 0 9 -
Switch	Mounting	L 6 low temp.		Cap black	Height	Extender black
	T through-hole	H 9 high temp.			16.0	
	S surface mount				19.0	05.0 (Optional)
					22.5	06.0 Adds 5-10mm to total height
						07.0
						08.0
						09.0
						10.0

3 F	T	<input type="checkbox"/>	+	<input type="checkbox"/>	+	1 S 1 1 -
Switch	Mounting	L 6 low temp.		LED	Cap Transparent	Height
	T through-hole	H 9 high temp.		00 blue		16.0
				20 green		19.0
				40 yellow		22.5
				60 white		
				80 red		
				2040 green/yellow		
				8020 red/green		
				8040 red/yellow		

Customised Heights:

3F+1S is available in any height from 12.0 to 24 mm.
 3F+1S+2S is available in any height from 17.0 to 34 mm.
 Min. height for 1S11 is 16.0 and for 1S09 min height is 12.0 mm.
 Min. order qty. for custom heights is 2.000 pcs.
 For heights less than 12.0 mm, please refer to 3E switch range.
 Keycaps shown on this page can also be used on illumec™ switch 4F

Ordering example: 3FTL640 + 1S11-19.0