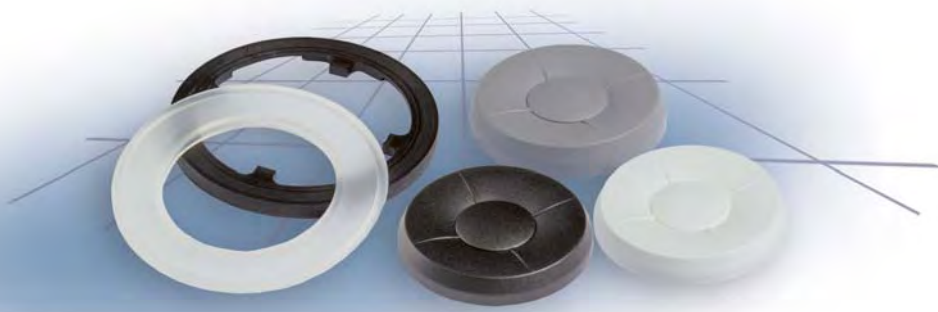


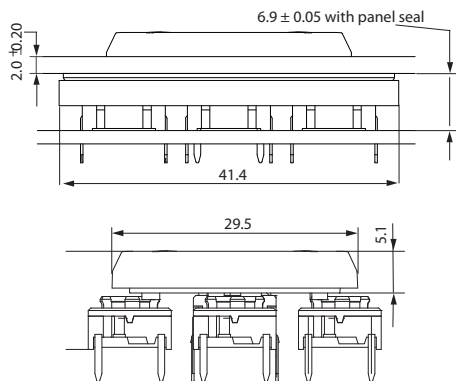
controlmec® 1ZW "sealed"

Technical Data

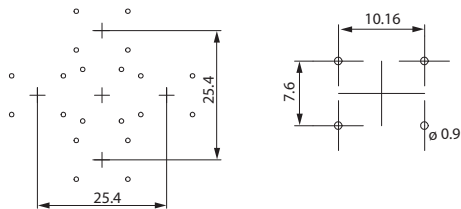
- through-hole or SMD
- 50mA/24VDC
- single pole/momentary
- 10.000.000 operations life time
- IP67 sealing
- temperature range:
LED: -40/+85°C
solid cap +65°C
transparent +85°C
- actuation force: 2.0, 3.5, 6.5 N



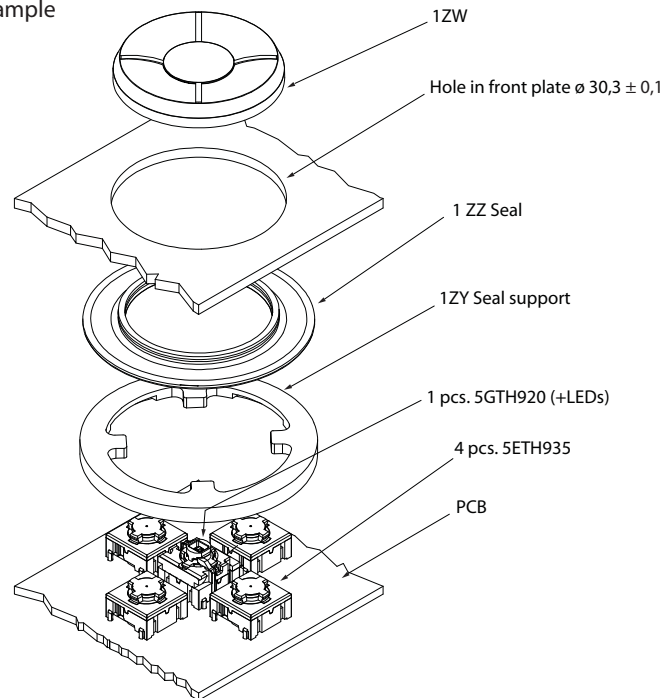
Dimensions 1ZW



Recommended PCB layout



Mounting example



HOW TO ORDER

5 G	<input type="checkbox"/>	<input type="checkbox"/>	<input type="checkbox"/>	<input type="checkbox"/>	<input type="checkbox"/>	Panel seal	
Switch	Mounting	Actuation force	LED	Cap for seal	Colour code	Seal	Seal support
	TH9 through-hole	20	01 blue	1ZW	00 blue	1ZZ	1ZY
	SH9 surface mount	35	22 green		02 green		
		65	42 yellow		03 grey		
			61 white		04 yellow		
			82 red		06 white		
			2242 green/yellow		08 red		
			8222 red/green		09 black		
			8242 red/yellow		11 transparent		
					16 frosted white		

5 E	<input type="checkbox"/>	<input type="checkbox"/>
Switch	Mounting	Actuation force
	TH9 through-hole	20
	SH9 surface mount	35
		65

Ordering example (sealed version) 1ZW: 1 x 5GTH920 + 4 x 5ETH935 + 1ZW03 + 1ZZ + 1ZY

Dimensions (mm) Unless otherwise specified, all tolerances ± 0,2