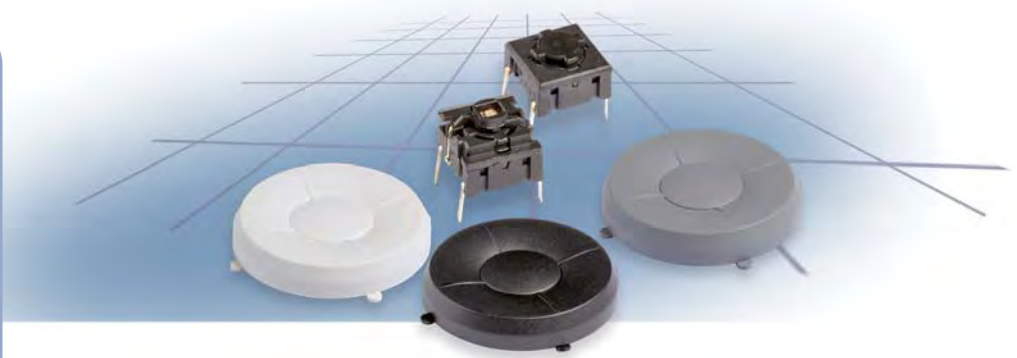
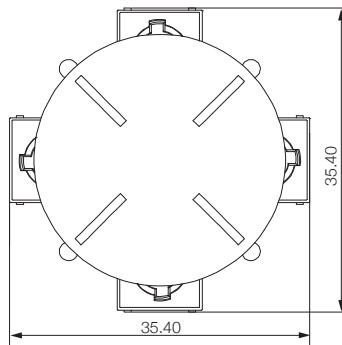
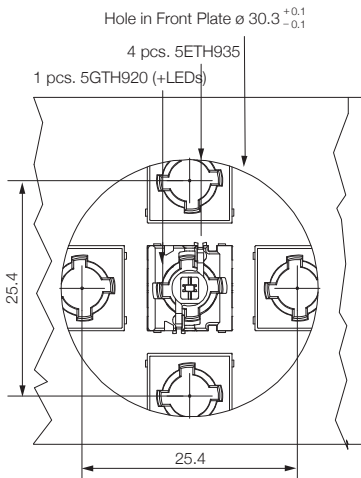
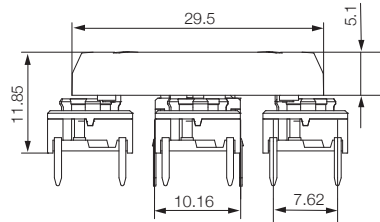
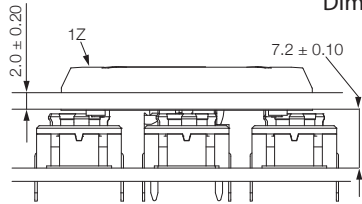


Technical Data

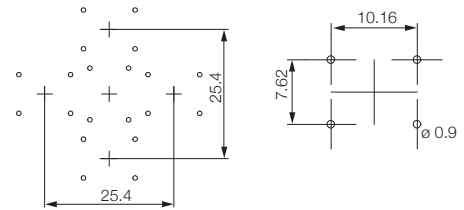
- through-hole or SMD
- 50mA/24VDC
- single pole/momentary
- 10.000.000 operations life time
- IP67 sealing
- temperature range:
LED: -40/+85°C
solid cap +65°C
transparent +85°C
- actuation force: 2,0, 3,5, 6,5 N



Dimensions 1Z



Recommended PCB layout



HOW TO ORDER

<input type="checkbox"/> 5 <input type="checkbox"/> G	<input type="checkbox"/> <input type="checkbox"/> <input type="checkbox"/>	<input type="checkbox"/> <input type="checkbox"/>	<input type="checkbox"/> <input type="checkbox"/> <input type="checkbox"/> <input type="checkbox"/>	<input type="checkbox"/> <input type="checkbox"/>	<input type="checkbox"/> <input type="checkbox"/>
Switch	Mounting	Actuation force	LED	Cap	Colour code
	TH9 through-hole	20	01 blue	1Z	00 blue
	SH9 surface mount	35	22 green		02 green
		65	42 yellow		03 grey
			61 white		04 yellow
			82 red		06 white
			2242 green/yellow		08 red
			8222 red/green		09 black
			8242 red/yellow		11 transparent
					16 frosted white

<input type="checkbox"/> 5 <input type="checkbox"/> E	<input type="checkbox"/> <input type="checkbox"/> <input type="checkbox"/>	<input type="checkbox"/> <input type="checkbox"/>
Switch	Mounting	Actuation force
	TH9 through-hole	20
	SH9 surface mount	35
		65

Ordering example (unsealed version) 1Z: 1 x 5GTH920 + 4 x 5ETH935 + 1Z03

Dimensions (mm) Unless otherwise specified, all tolerances ± 0,2