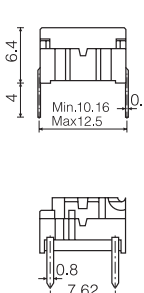
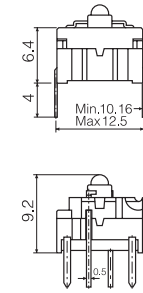
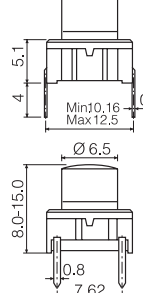
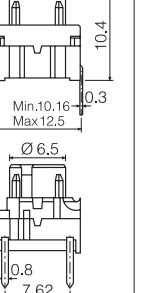
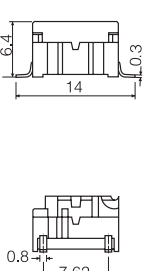
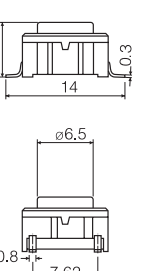
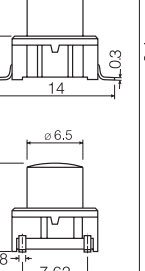
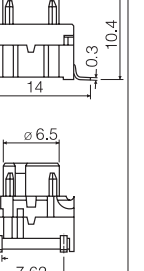
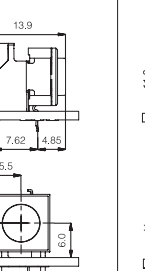
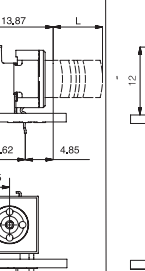
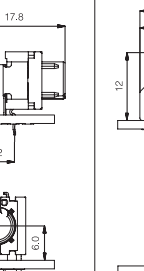
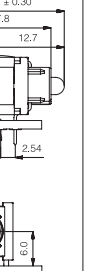


multimec® basic switch modules

Through-hole Versions													
3A		3C		3E	3F								
For 1A/1B/1M/1ZA/1ZB		w/LED for 1C/1H		For 3E actuators/Varimec	For 1D/1K/1N/1P/1S/1T/1U/1V/1WA/1WD/1WG/1WP/1X/1ZC/1GA/1GC								
													
<p style="text-align: center;">Standard Versions</p> <table border="1" style="width: 100%; border-collapse: collapse;"> <tr> <td style="width: 16.6%;">3ATL6 3ATH9</td> <td style="width: 16.6%;">3ATL600/20/40/80</td> <td style="width: 16.6%;">3CTL6/3CTL9 3CTH9</td> <td style="width: 16.6%;">3ETLXX-H* 3ETHXX-H*</td> <td style="width: 16.6%;">3FTL6 3FTH9</td> <td style="width: 16.6%;">3FTL600/20/40/60/80/ 2040/8020/8040</td> <td style="width: 16.6%;">3FTL623/45/88</td> </tr> </table> <p>* 3E available in 6 standard heights: 08.0, 09.5, 10.4, 11.0, 12.0, 15.0 mm. Other heights between 08.0 and 15.0 mm are available upon request.</p> <p>Specials: Gold contacts, quiet version and actuation force other than 3.0N</p>							3ATL6 3ATH9	3ATL600/20/40/80	3CTL6/3CTL9 3CTH9	3ETLXX-H* 3ETHXX-H*	3FTL6 3FTH9	3FTL600/20/40/60/80/ 2040/8020/8040	3FTL623/45/88
3ATL6 3ATH9	3ATL600/20/40/80	3CTL6/3CTL9 3CTH9	3ETLXX-H* 3ETHXX-H*	3FTL6 3FTH9	3FTL600/20/40/60/80/ 2040/8020/8040	3FTL623/45/88							

Surface Mount Versions				Right Angle Versions											
3A	3C	3E	3F	3C	3E	3F	3F w/LED								
For 1A/1B/1M/1ZA/1ZB		For 3E actuators/Varimec	For 1D/1K/1N/1P/1S/1T/1U/1V/1WA/1WD/1WP/1X/1ZC/1GA/1GC		For 3E actuators/Varimec	For 1D/1K/1N/1P/1S/1T/1U/1V/1W/1WA/1WD/1WP/1X/1ZC/1GA/1GC	For 1D/1E/1F/1N/1Q/1R/1S/1X								
															
<p style="text-align: center;">Standard Versions</p> <table border="1" style="width: 100%; border-collapse: collapse;"> <tr> <td style="width: 12.5%;">3ASH9/3ASH9R</td> <td style="width: 12.5%;">3CSH9/3CSH9R</td> <td style="width: 12.5%;">3ESH9/3ESH9R</td> <td style="width: 12.5%;">3FSH9/3FSH9R</td> <td style="width: 12.5%;">3CTL6RAS</td> <td style="width: 12.5%;">3ETXX-X.XRAS</td> <td style="width: 12.5%;">3FTL6RAS</td> <td style="width: 12.5%;">3FTL600/20/40/60/80/ 2040/8020/8040RAS</td> </tr> </table>				3ASH9/3ASH9R	3CSH9/3CSH9R	3ESH9/3ESH9R	3FSH9/3FSH9R	3CTL6RAS	3ETXX-X.XRAS	3FTL6RAS	3FTL600/20/40/60/80/ 2040/8020/8040RAS	<p style="text-align: center;">Standard Versions</p>			
3ASH9/3ASH9R	3CSH9/3CSH9R	3ESH9/3ESH9R	3FSH9/3FSH9R	3CTL6RAS	3ETXX-X.XRAS	3FTL6RAS	3FTL600/20/40/60/80/ 2040/8020/8040RAS								

Co-planarity = ≤ 0.05

DIMENSIONS (mm) Unless otherwise specified, all tolerances ± 0.2

multimec® Cross Section

